



JORDAN VALVE
A Division of Richards Industries

3170 Wasson Road • Cincinnati, OH 45209 USA
Phone 513-533-5600 • Fax 513-871-0105
E-Mail: info@richardsind.com • www.jordanvalve.com

I&M 618

Installation & Maintenance Instructions for Mark 618 Low Pressure Gas/Liquid Regulator

Warning: Jordan Valve Control Valves must only be used, installed, and repaired in accordance with these Installation & Maintenance Instructions. Observe all applicable public and company codes and regulations. In the event of leakage or other malfunction, call a qualified service person; continued operation may cause system failure or a general hazard. Before servicing any valve, disconnect, shut off, or bypass all pressurized fluid. Before disassembling a valve, be sure to release all spring tension.

Please read these instructions carefully!

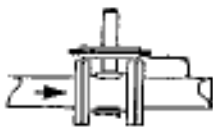
Your Jordan Valve product will provide you with long, trouble-free service if it is correctly installed and maintained. Spending a few minutes now reading these instructions can save hours of trouble and downtime later. When making repairs, use only genuine Jordan Valve parts.

Pre-Installation

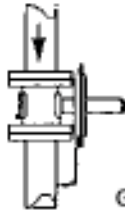
Before installation please verify the following:

- 1) Verify that system pressures match the pressures listed on the valve tag.
- 2) All lines have been cleaned of foreign matter.
- 3) Verify that all materials are compatible with the media.
- 4) Directional flow arrow on valve.

Preferred Installation



Very Good



Good

For vertical installation in the line the condensate tubing has to be connected to evacuate the condensate.

For horizontal installation it is possible to close the condensate tubing connection with a pipe plug.

- 1) Install the valve with the flow arrow pointing in direction of the flow.
- 2) Slowly open the supply line.
- 3) Slowly increase the pressure using a hex-key. Turn clockwise to decrease the pressure. Turn counterclockwise to increase the pressure.

Verify sizing with charts on the right:

Pressure charts (Nitrogen Flow In SCFH)

Inlet Pressure	Valve Seat .55"		Set Point		
	4" w.c.	8" w.c.	40" w.c. 1.14 psi	80" w.c. 2.9 psi	200" w.c. 7.25 psi
2	1059	1024	670		
4	1412	1377	1165	706	
6	1801	1765	1624	1412	
9	2295	2295	2225	2118	1337
14	2860	2860	2825	2789	2471
21	3531	3531	3531	3531	3496
36	4779	4979	4979	4979	4979
58	7098	7098	7098	7098	7098
87	9958	9958	9958	9958	9958
145	15644	15644	15644	15644	15644

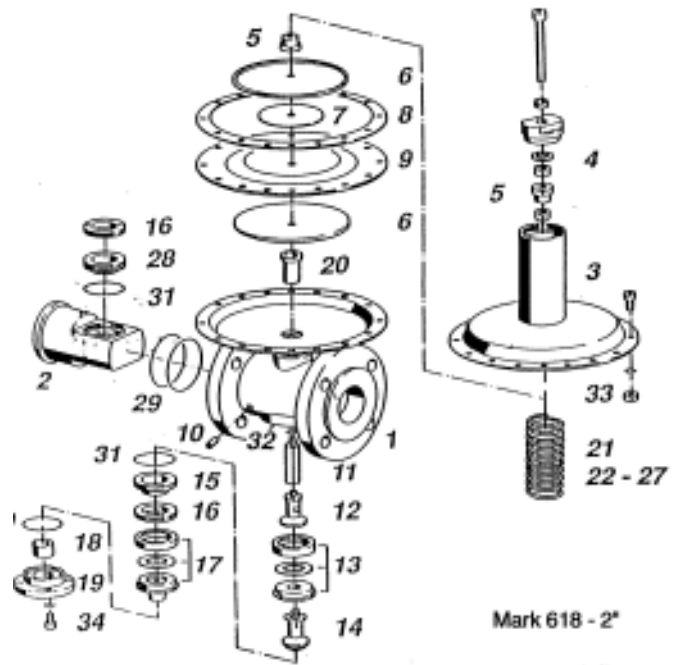
Inlet Pressure	Valve Seat .71"		Set Point		
	4" w.c.	8" w.c.	40" w.c. 1.14 psi	80" w.c. 2.9 psi	200" w.c. 7.25 psi
2	2507	2436	1553		
4	3354	3213	2683	1624	
6	4167	4131	3813	3248	
9	5332	5297	5155	4873	3142
14	6639	6639	6603	6497	5720
21	8298	8298	8298	8298	8122
36	11582	11583	11583	11582	11582
58	16597	16597	16597	16597	16597
87	23307	23307	23307	23307	23307
145	36373	36373	36373	36373	36373

Inlet Pressure	Valve Seat 1.0"		Set Point		
	4" w.c.	8" w.c.	40" w.c. 1.14 psi	80" w.c. 2.9 psi	200" w.c. 7.25 psi
2	5332	5155	3319		
4	6992	6886	5756	3496	
6	8899	8828	8122	6956	
9	11406	11371	11017	10417	6709
14	14196	14196	14090	13913	12289
21	17657	17657	17657	17657	17374
36	24896	24896	24896	24896	24896
58	35490	35490	35490	35490	35490
87	49792	49792	49792	49792	49792
145	78043	78043	78043	78043	78043

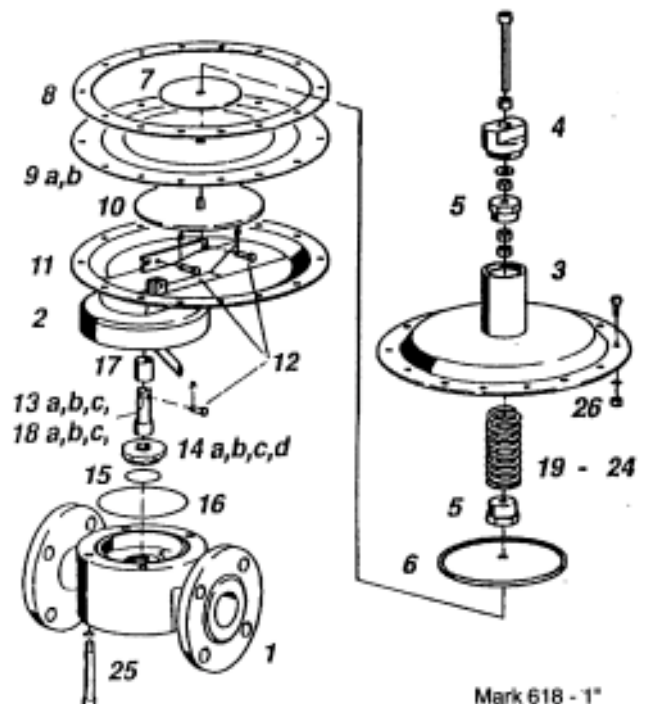
PROTECT VALVES WITH LINE STRAINERS

Mark 618 Spare Parts List and Illustration

Pos.	Designation	Item No.
1	Housing, Complete	BR-550
2	Housing seat	BR-551
3	Spring dome, M200	BR-553
4	Setting screw, complete	BR-522
5	Spring guide	BR-520
6	Diaphragm disc	BR-519
7	Sealing disc	BR-121
8	Sealing ring	BR-119
9	PTFE diaphragm	BR-115
10	Locating pin	BR-548
11	Diaphragm disc guide	R-518
12	Upper guide bolt	R-539
13	Sealing disc, complete	R-560
14	Middle guide bolt	R-538
15	Lower valve seat	R-546
16	Lock ring	BR-508
17	Lower guide bolt	R-561
18	Bush	BR-513
19	Collar plate	BR-501
20	Guide bush	BR-514
21	Setting spring, complete	BR-510
22	Setting spring, 10 mbar	BR-527
23	Setting spring, 20 mbar	BR-528
24	Setting spring, 50 mbar	BR-529
25	Setting spring, 100 mbar	BR-530
26	Setting spring, 200 mbar	BR-531
27	Setting spring, 500 mbar	BR-532
28	Upper valve seat	R-543
29	O-ring 65/2.5mm	BR-100
30	O-ring 49/2mm	BR-101
31	O-ring 40/2mm	BR-102
32	O-ring 9/1.5mm	BR-103
33	Cyl. screw, M5x14, spring ring, nut	
34	Cyl. screw, M6x16, spring ring	



Pos.	Designation	Item No.
1	Housing, Complete	BR-250
2	Housing guide	R-251
3	Spring dome, M200	BR-553
4	Setting screw, complete	BR-522
5	Spring guide	BR-520
6	Diaphragm disc	BR-519
7	Sealing disc	BR-121
8	Sealing ring	BR-119
9a	PTFE diaphragm	BR-115
9b	Viton diaphragm	BR-116
10	Diaphragm disc, complete	R-205
11	Lever	R-206
12	Hinge pin, complete	R-207
13a	Piston complete 45/75P	R-210
13b	Piston complete 100P	R-211
13c	Piston complete 140P	R-212
14a	Valve seat 45	R-239
14b	Valve seat 75	R-240
14c	Valve seat 100	R-241
14d	Valve seat 140	R-242
15	O-Ring 25x1.5"	BR-125
16	O-Ring 50.05x1.78"	BR-126
17	Guide bush	R-208
18a	Piston complete 45/75V	R-213
18b	Piston complete 100V	R-214
18c	Piston complete 140V	R-215
19	Setting spring, 10 mbar	BR-527
20	Setting spring, 20 mbar	BR-528
21	Setting spring, 50 mbar	BR-529
22	Setting spring, 100 mbar	BR-530
23	Setting spring, 200 mbar	BR-531
24	Setting spring, 500 mbar	BR-532
25	Cyl. screw M8x65, spring ring	
28	Cyl. screw M5x14, spring ring, nut	



3170 Wasson Road • Cincinnati, OH 45209

Phone 513-533-5600 • Fax 513-871-0105

E-Mail: info@richardsind.com

URL: www.jordanvalve.com